

Instruction for Use

020912/11/07

Wind Direction Transmitter

- Output: 8 bit parallel

4.3121.32.000



ADOLF THIES GmbH & Co. KG

Hauptstraße 76

Box 3536 + 3541

Phone ++551 79001-0

www.thiesclima.com

37083 Göttingen Germany

37025 Göttingen

Fax ++551 79001-65

info@thiesclima.com

Contents

1	Models	2
2	Range of application	3
3	Construction and Mode of Operation	3
4	Recommendation Site Selection / Standard Installation	3
5	Installation.....	3
5.1	Mounting the wind vane	4
5.2	Mounting the Wind Direction Transmitter	4
5.3	Electrical Mounting	5
6	Maintenance	5
7	Connecting diagram.....	5
8	Technical Data :.....	6
9	Dimensions	6
10	EC-Declaration of Conformity	7

1 Models

Order-No.	Meas. range WD	Electrical Output
4.3121.32.000	0 ... 360°	8 bit serial- synchron

The Wind Direction Transmitters are shipped in semi-mounted state, in order to avoid transport damages and to keep the package small.

The following parts are included in delivery:

- 1 x wind direction transmitter, pre-mounted
- 1 x cup star
- 1 x wind vane
- 1 x connecting plug

2 Range of application

The wind direction transmitter serves for the acquisition of the horizontal components of the wind direction. All measuring values are available at the outputs digital signals. They can be output to THIES-display instruments, and systems or for further processing.

For winter operation the instruments are equipped with an electronically regulated heating in order to guarantee a smooth running of the ball bearings, and to avoid ice-formation at the slot of the outer rotation parts. The electrical supply of wind transmitter heating is carried out, for ex., by our power supply unit, order-no. 9.3388.00.000.

3 Construction and Mode of Operation

The housing and wind vane are made of aluminum, die the surfaces are anodized. Labyrinth seals and o-rings protect the sensitive internal parts from precipitation. The instrument is designed for mounting to a mast tube; the electrical plug connection is situated in the transmitter shaft.

The light-metal wind vane (in ball bearings) is moved by the wind. The measuring system consists of an opto-electronically operating absolute angle encoder. The measurement of angle is carried out automatically. During the automatic measurement operation the angle is updated at the 8-bit output approx. every 50 ms.

4 Recommendation Site Selection / Standard Installation

In general, wind measurement instruments should be able to detect wind conditions over a broad range. In order to obtain comparative values of the surface wind, measurements should be taken at a height of 10m above a flat, open terrain. Open terrain means that the distance between the wind transmitter and an obstacle is at least 10 times greater than the height of the obstacle itself. If this requirement cannot be fulfilled, then set the wind transmitter up at a height where the influence of local obstacles on the measured values is minimal (about 6-10 m above the level of the obstacle). If the wind transmitter is set up on a flat roof, then place it is the center of the roof and not at the edge in order to avoid privileged directions.

5 Installation

Attention:

Storing, mounting and operation under weather conditions is permissible only in vertical position, as otherwise water can get into the instrument.

Remark:

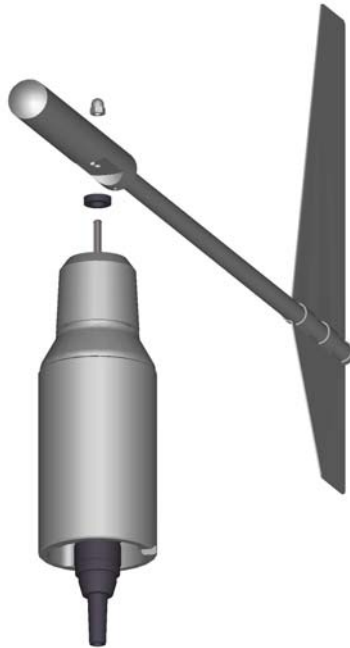
When using fastening adapters (angle, traverses, hangers etc.) please take a possible effect by turbulences into consideration.

Remark:

*A **Lightning Rod** Order-No. **4.3100.99.000** is recommended if the instrument is to be used in areas with considerable lightning activity.*

5.1 Mounting the wind vane

Unscrew the cap nut (SW 8) from the case of the Wind Direction Transmitter and remove the disk. The rubber gasket remains in the protection cap. Place the wind vane such that the set pin on the wind vane catches in the notch of the protective cap. Replace the disk and re-screw the cap nut. Make sure you hold the transmitter on the protective cap and not on the wind vane.



5.2 Mounting the Wind Direction Transmitter

The Wind Direction Transmitter can be mounted onto a tube of R 1 1/2" (\varnothing 48,3 mm), 50 mm long. The internal diameter of the mounting tube must be at least 40 mm since the transmitter will be plugged into an electrical system from below. Solder a cable onto the enclosed plug (see chapter 5.4). After electrical connection, set the wind transmitter onto the tube. North marking and bow shall indicate to the North.

North Alignment

Rotate the case markings (north marking) on the shaft and on the protective cap until they are aligned. Then select an obvious point in a northerly direction in the surroundings (a tree, a building etc.) with the aid of a compass. Take a bearing on this point over the wind vane and the counter weight of the wind direction transmitter, and when these coincide screw the wind transmitter into place. (the north marking must indicate to the geographic north). The instrument is fixed on the shaft by means of the two hexagon head screws.

5.3 Electrical Mounting

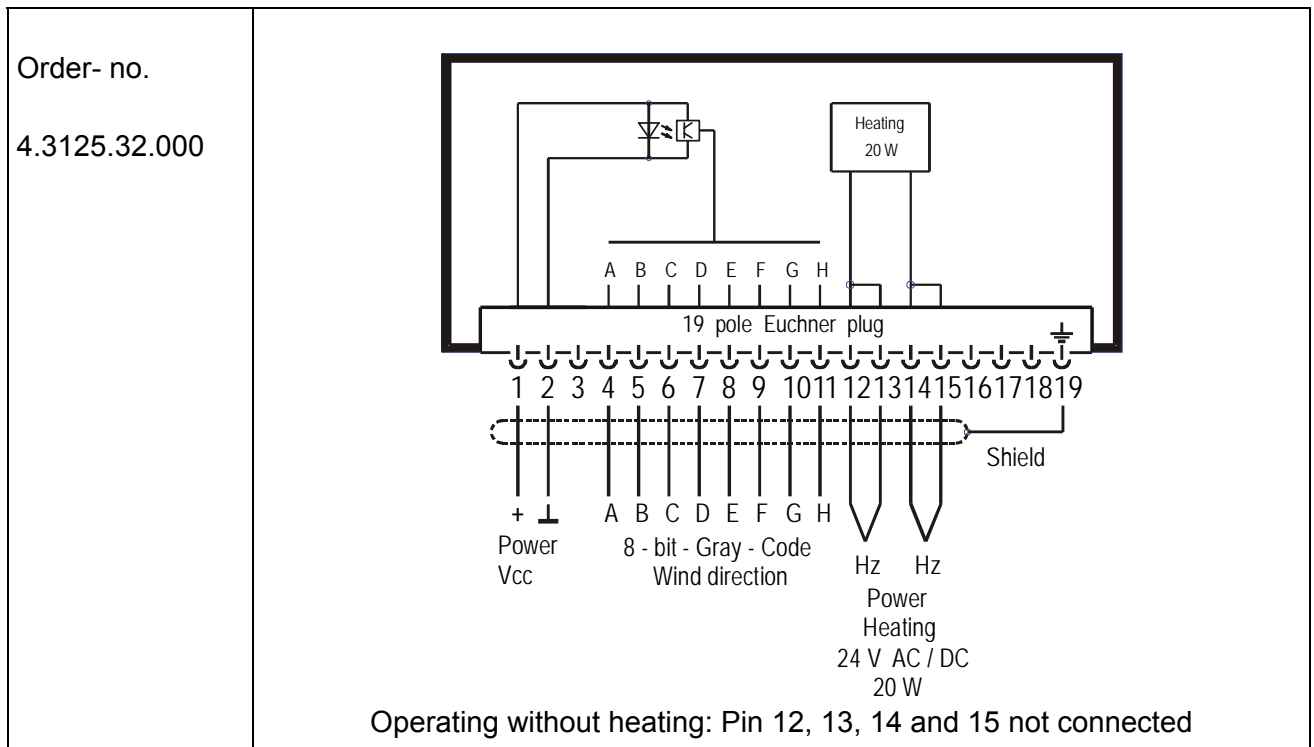
For electrical connection please refer to the connecting diagram.

6 Maintenance

If the instrument has been properly mounted, no maintenance is required. Heavy pollution can clog the slits between the rotating and stationary parts of the instrument. These slits must always be clean and unclogged.

After years of use, the ball bearings can suffer from wear and tear. This is expressed in a higher starting torque respectively in the fact that the Wind Direction Transmitter does not start rotating. If such a defect occurs, we recommend that you return the instrument to the factory for repair.

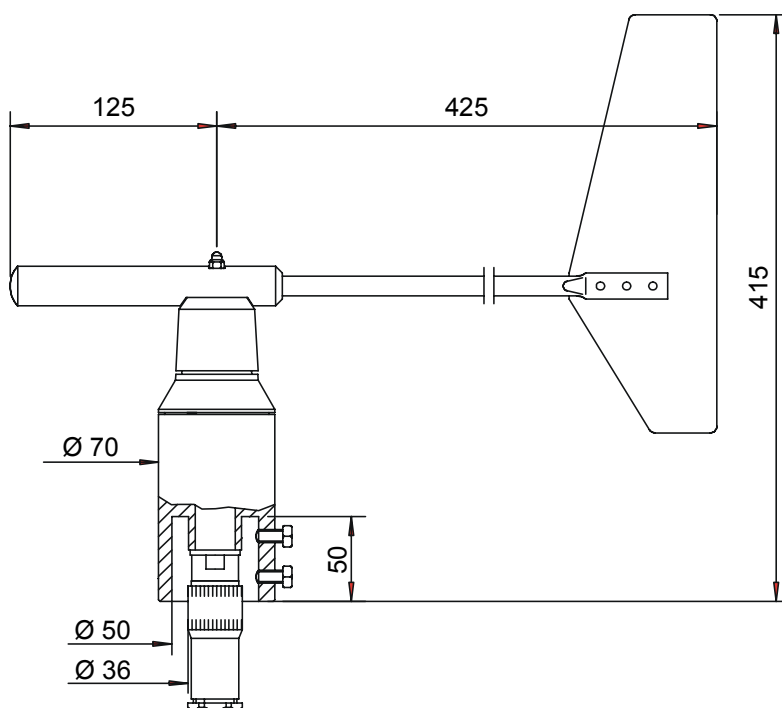
7 Connecting diagram



8 Technical Data :

	4.3121.32.000
Meas. range	0... 360°
Start-up	<0.6 m/s at 90° vane move
Accuracy	±1.5°
Resolution	2.5°
Damping ratio	0.2 –0.3
Electrical output*	8 Bit parallel (with Offset)
Output signal	0 V... Vcc
Operating voltage (Vcc)	5 ... 18 V DC
Current (unloaded)	min. 0.6 mA @ 5 Vcc max. 1.50 mA @ 18 Vcc
Heating	24 V DC/AC, approx. 40 W, electronically regulated
Ambient temperature	-35...+80°C
Max. wind load	75 m/s
Wind load at 35 m/s	approx. 10 N
Protection	IP 55
Mounting	onto mast tube 1 ½", for ex. DIN 2441
Connection	19-pole plug connection in the shaft
Weight	1.8 kg

9 Dimensions



10 EC-Declaration of Conformity

Document-No.: **000436**

Month: 06 Year: 08

Manufacturer: **ADOLF THIES GmbH & Co. KG**

Hauptstr. 76
D-37083 Göttingen
Tel.: (0551) 79001-0
Fax: (0551) 79001-65
email: Info@ThiesClima.com

Description of Product: **Wind Direction Transmitter**

Article No. **4.3121.32.000 4.3125.32.100 4.3125.32.101**

specified technical data in the document: **020889/11/07; 020926/11/07**

The indicated products correspond to the essential requirement of the following European Directives and Regulations:

- | | |
|-------------|--|
| 2004/108/EC | DIRECTIVE 2004/108/EC OF THE EUROPEAN PARLIAMENT AND OF THE COUNCIL of 15 December 2004 on the approximation of the laws of the Member States relating to electromagnetic compatibility and repealing Directive 89/336/EEC |
| 2006/95/EC | DIRECTIVE 2006/95/EC OF THE EUROPEAN PARLIAMENT AND OF THE COUNCIL of 12 December 2006 on the harmonisation of the laws of Member States relating to electrical equipment designed for use within certain voltage limits |
| 552/2004/EC | Regulation (EC) No 552/2004 of the European Parliament and the Council of 10 March 2004 on the interoperability of the European Air Traffic Management network (the interoperability Regulation) |

The indicated products comply with the regulations of the directives. This is proved by the compliance with the following standards:

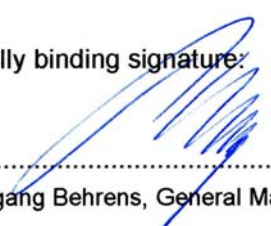
Reference number	Specification
IEC 61000-6-2: 2005	Electromagnetic compatibility Immunity for industrial environment
IEC 61000-6-3: 2006	Electromagnetic compatibility Emission standard for residential, commercial and light industrial environments
IEC 61010-1: 2001	Safety requirements for electrical equipment for measurement, control and laboratory use. Part 1: General requirements

Place: Göttingen

Date: 30.06.2008

Legally binding signature:

issuer:


.....
Wolfgang Behrens, General Manager


.....
Joachim Beinhorn, Development Manager

This declaration certifies the compliance with the mentioned directives, however does not include any warranty of characteristics. Please pay attention to the security advises of the provided instructions for use.



ADOLF THIES GmbH & Co. KG

Hauptstraße 76 37083 Göttingen Germany
P.O. Box 3536 + 3541 37025 Göttingen
Phone ++551 79001-0 Fax ++551 79001-65
www.thiesclima.com info@thiesclima.com



- Alterations reserved -